

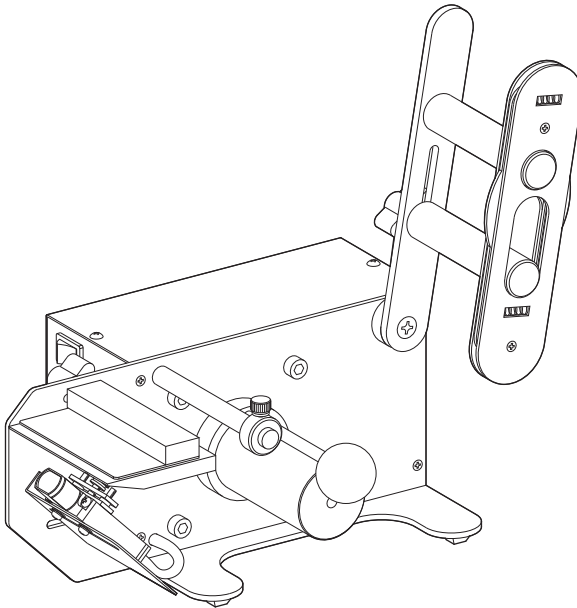
HYPER LABEL DISPENSER

HLD-2000

PRECISION LABEL DISPENSER

PLD-3000

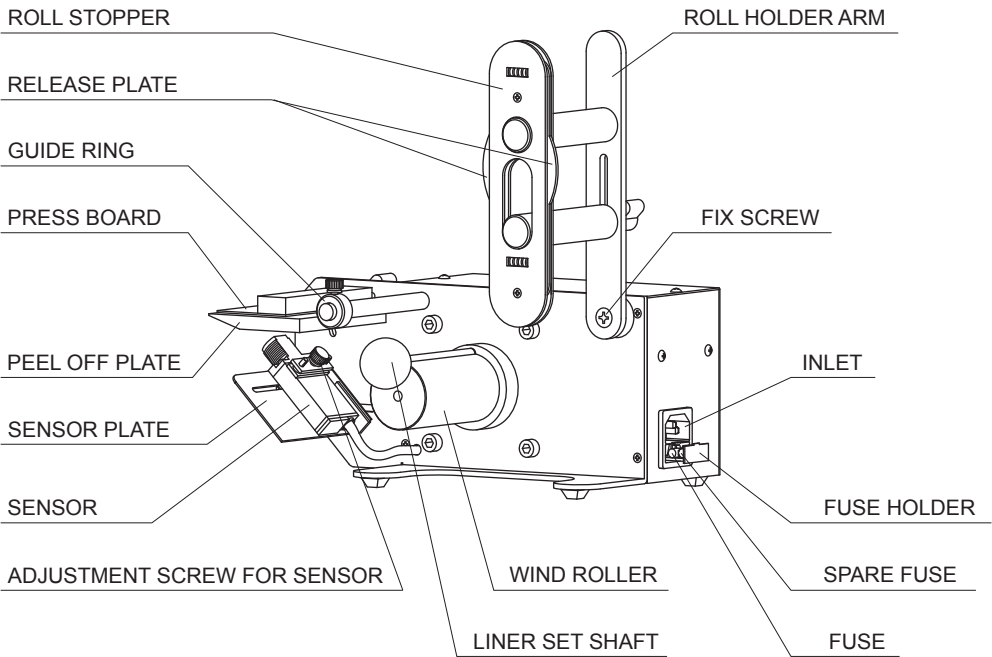
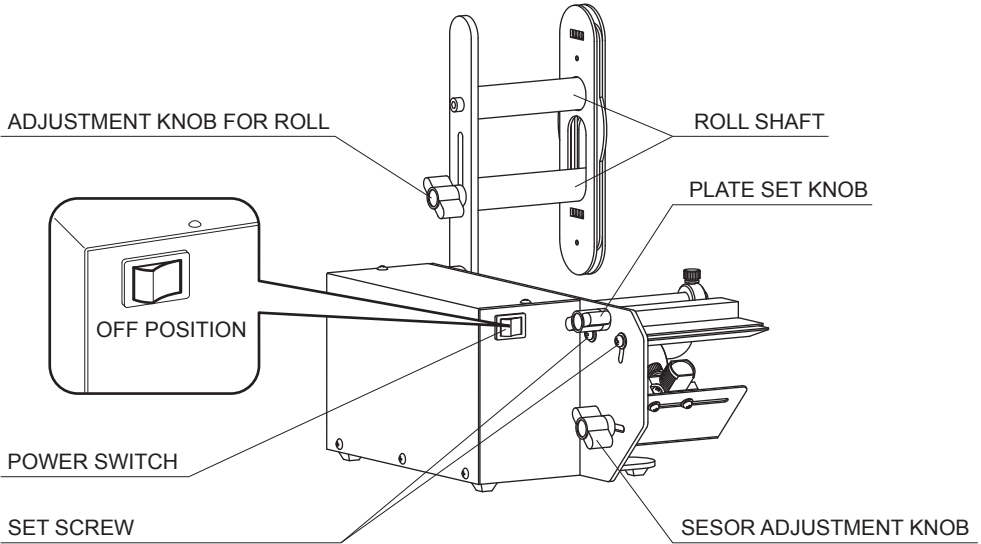
INSTRUCTION MANUAL



Yaesu

YAESU KEIKOGYO CO., LTD.

IDENTIFICATION OF PARTS



HOW TO SET THE LABEL ROLL

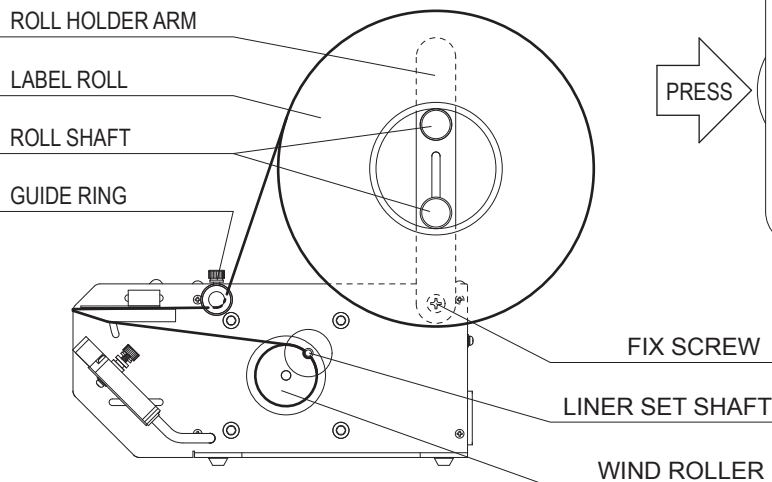
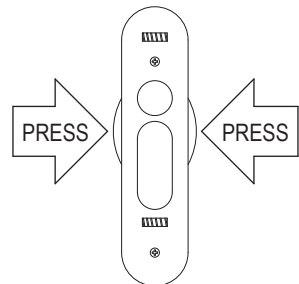


Make sure that the Power Switch is OFF.

- 1) Adjust Roll Holder Arm to vertical.
- 2) Take Roll Stopper out.
- 3) Adjust Roll Shaft by using Adjustment Knob and put the roll on the Roll Shaft.
- 4) Fix the Roll Shaft by screw.
- 5) Put Roll Stopper into Roll Shaft.
- 6) Take out the Liner Set Shaft.
- 7) Pull the liner under the Guide Ring, through the liner between Press Board and Peel Off Plate. Fix the liner to the Wind Roller by Liner Set Shaft.
- 8) Turn Wind Roller clockwise by hand and make sure the liner set to the Wind Roller firmly.
- 9) Set the Guide Ring so that liner can feed smoothly.

ROLL STOPPER

Easy to release the Roll Stopper just press the Release Plate



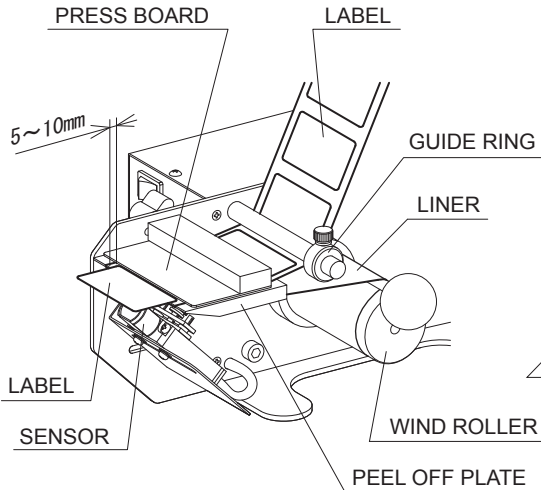
SET THE LABEL & SENSOR POSITION



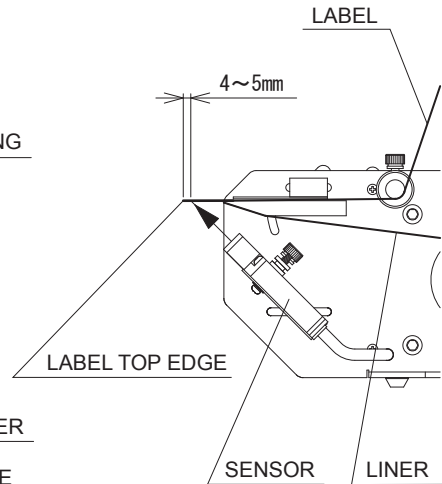
Make sure that the Power Switch is OFF.

- 1) Turn the Wind Roller clockwise by hand and make sure each label peel off at the front of Peel Off Plate.
- 2) Check the label sticks on the Peel Off Plate about 5-10mm from the top.
- 3) Set the Press Board can touch and press the rear edge of the label lightly.
- 4) The Sensor can be adjusted in any directions to accommodate virtually any label.
Using Sensor Adjustment Knob, find the right position to stop feeding the label.
Align the sensor about 4-5mm from the top edge of the label.

LABEL POSITION



SET THE SENSOR POSITION



BEFORE YOU OPERATE THE MACHINE

- 1) Plug in the Power Cord.
- 2) Turn the Power Switch is ON.
- 3) Take the label from the Peel Off Plate.
- 4) After take the label, the motor starts and feed the next label and stop at the right position.
- 5) If the machine can not stop at the right position, try to adjust sensor position again.

SPECIFICATIONS

	HLD-2000	PLD-3000
POWER REQUIREMENT 100VAC 50/60Hz 120VAC 50/60Hz 220-240VAC 50/60Hz	20/18W	10/8W
DIMENSIONS	192(W) X 270(H) x 253(D) MM	
WEIGHT	4.2 KG.	3.1 KG.
WIDTH OF BACKING PAPER	10-75 MM	4-75 MM
LENGTH OF LABEL	15-100 MM	4-100 MM
FEEDING SPEED (50Hz)	130 MM/sec. 140 PCS./MIN. (PITCH=25 MM)	7-14 MM/sec. 18 PCS./MIN. (PITCH=25 MM)
MAX. DIAMETER OF ROLL	180 MM	
ACCESSORIES	POWER CORD 1 PCS.	
	FUSE 1 PCS. 1A(100V,120V) 0.5A(220-240V)	



YAESU KEIKOGYO CO., LTD.

YAESU KEIKOGYO CO., LTD.

39-8, Senju Motomachi, Adachi-Ku,
Tokyo, 120-0041, Japan

Phone 81-3-3888-8751

Fax 81-3-3888-1592

PLEASE VISIT OUR WEB SITE

<http://www.yaesu1965.com/>